

Model 4394RT

ROUGH TERRAINS SCISSOR LIFTS



MORE ECONOMIC

- Get higher productivity and efficiency plus lower costs and emissions with Advanced Design Electronics.

MORE PRODUCTIVE

- Enjoy superior terrainability and comfortable navigation on almost any job site with four-wheel-drive and standard oscillating axle.

MORE ACCESS

- More room for people and materials thanks to spacious deck with standard extension.

SMART DESIGN

- Optimal capacity with robust construction and high-strength scissor pack.



Standard Features

- 2.18 m x 3.81 m steel platform (deck extension retracted)
- 1.22 m manual front deck extension
- Fold down handrails
- Dual side entry with half swing gates
- Lanyard attach points
- Proportional drive control with thumb steer
- Proportional lift/lower speed control
- Joystick enable for lift and drive
- Moveable and removable platform console box
- Load sensing system
- Programmable "Personality" settings
- On-board self-diagnostic testing
- Engine distress warning/shut down system¹
- Hydrostatic drive with anti stall function
- Two speed drive selection
- Four wheel drive
- 3 degree tilt alarm and indicator light
- Steel scissor guards
- Oscillating front axle with DUS
- Lifting/tie down lugs
- Hour meter
- Ground control selector switch with key lock
- Lubrication free scissor arm bushings
- Scissor maintenance prop
- Horn
- AC power cable to platform

¹ Low oil pressure and high coolant temperature alarms with shut-down enabled/disabled by analyser.

Standard Specifications

Power Source	
• Diesel Engine Deutz D2011L03	36.4 kW
• Fuel Tank Capacity	119 L
Hydraulic System	190 L
Tires	
• Standard	33/1550 x 16.5 Foam Filled

Accessories & Options

- Platform Worklights
- 13 mm airline to platform
- Flashing Amber Beacon
- Cold Weather Start Kit
- Night Bright[®] Package²
- Pipe Racks (Rail Mounted)
- Powered deck extensions :
 - Single
 - Dual
- Synthetic Biodegradable Hydraulic Oil
- 2500W generator
- Descent alarm
- Platform Workstation w/o 12V Plug³
- Euro Plug & Socket
- Special paint colour
- Foam Filled Non Mark 12 x 16.5 Tyres
- Hydraulic leveling jacks
- Without roll out rear extension
- Foam Filled IN315/55 D20 Tyres
- All motion alarm
- Catalytic purifier muffler
- Spark arresting type muffler
- Cylinder bellows

² Includes four 50W platform mounted halogen floodlights

³ Only applicable on machines equipped with powered deck extensions

Model 4394RT

ROUGH TERRAINS SCISSOR LIFTS

Performance

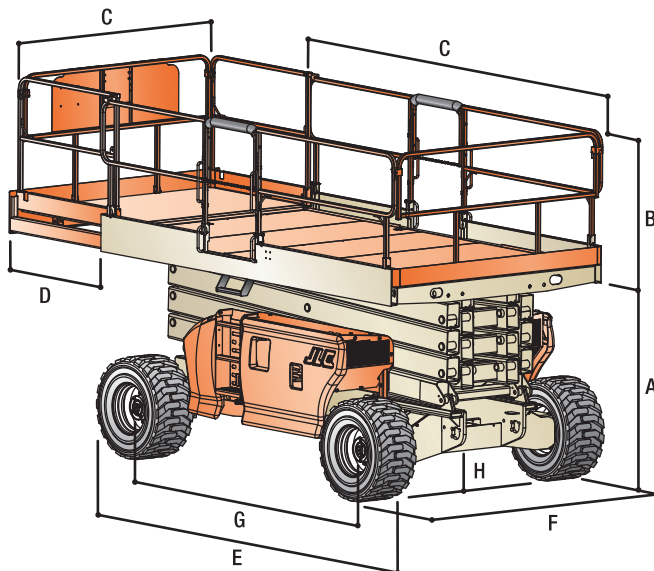
• Working Height	15.11 m
• Capacity with Optional Deck Extension	565 kg
• Capacity on Optional Deck Extension	225 kg
• Platform Height – Elevated	13.11 m
A. Platform Height – Lowered	1.79 m
B. Platform Railing Height	1.10 m
C. Stowed Height (Rails Folded)	2.19 m
D. Platform Size	2.18 m x 3.81 m
Front Deck Extension	1.22 m
Rear Deck Extension	1.22 m
E. Overall Width	2.39 m
F. Overall Length ¹	3.89 m
G. Wheelbase	2.95 m
H. Ground Clearance	0.30 m
• Lift/Lower Time	40/43 sec.
• Maximum Drive Height	13.11 m
• Machine weight ²	7,100 kg
• Maximum Ground Bearing Pressure	6.40 kg/cm ²
• Drive Speed 4WD	6.4 km/h
• Gradeability 4WD	45%
• Turning Radius – Inside	2.71 m
• Turning Radius – Outside	5.93 m
• Axle Oscillation	0.20 m

¹ Dimensions with optional levelling jacks are; Length 4.75 m, Width 2.39 m, Weight +600 kg.

² Certain options or country standards may increase weight and/or dimensions.



Dimensions



IMPORTANT

All dimensions are approximate. Rated lift capacities shown are with machine equipped with carriage and pallet forks. The machine must be level on a firm surface with undamaged, properly inflated tyres. Machine specifications and stability are based on rated lift capacities at specific boom angles and boom lengths. (If specifications are critical, the proposed application should be discussed with your dealer.) DO NOT exceed rated lift capacity loads, as unstable and dangerous machine conditions will result. DO NOT tip the machine forward to determine the allowable load.

Use only JLG approved attachments with proper material handler model/attachment load capacity charts displayed in the operator's cab.

Due to continuous product improvements, JLG Industries reserves the right to make specification and/or equipment changes without prior notification.



JLG Industries, Inc.

Polaris Avenue 63
2132 JH Hoofddorp
The Netherlands
Tel: +31 (0)23 565 5665
Fax: +31 (0)23 557 3750
www.jlgeurope.com

An Oshkosh Corporation Company